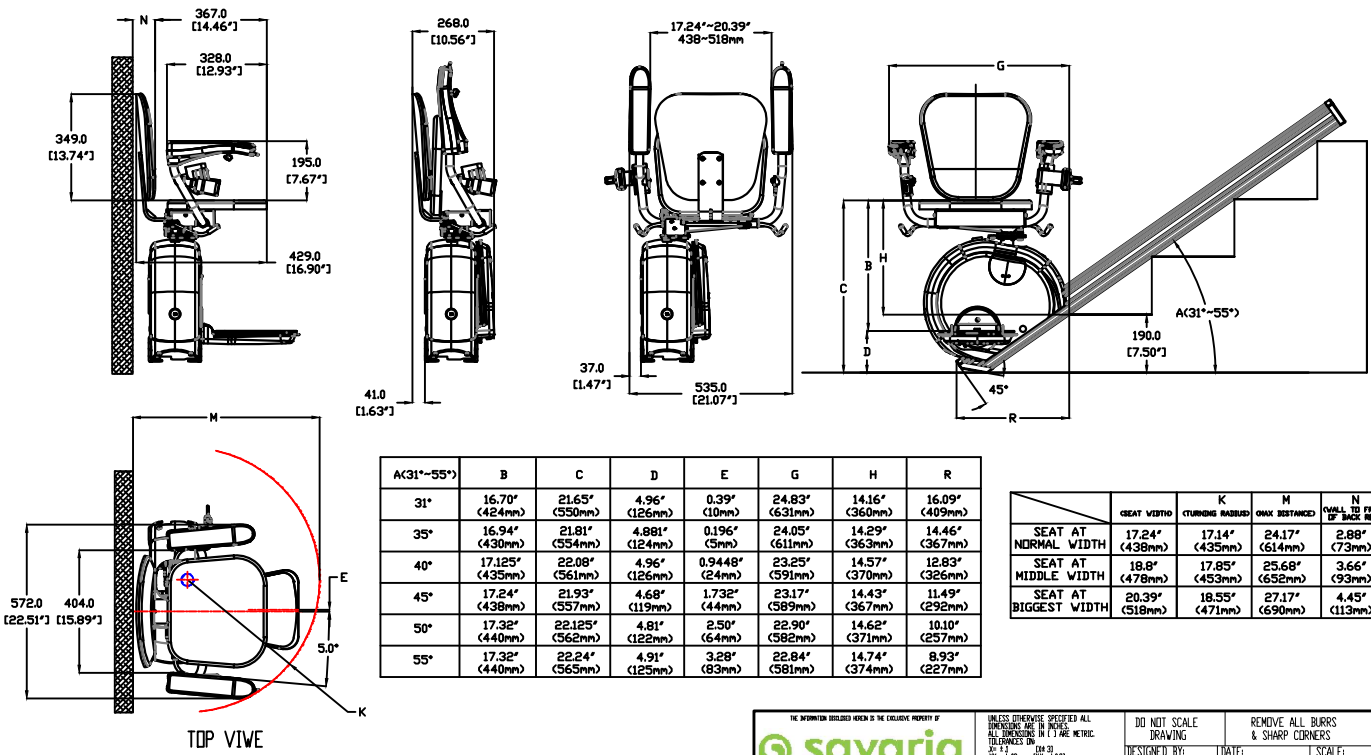


# K2 L-seat

REVISIONS			
REV	ECD. NDL	DATE	REVISED BY



	GREAT WIDTH	K TURNING RADIUS	M OAK DISTANCE	N WALL TO FRONT OF BACK REST
SEAT AT NORMAL WIDTH	17.24" (438mm)	17.14" (435mm)	24.17" (614mm)	2.88" (73mm)
SEAT AT MIDDLE WIDTH	18.8" (478mm)	17.85" (453mm)	25.68" (652mm)	3.66" (93mm)
SEAT AT BIGGEST WIDTH	20.39" (518mm)	18.55" (471mm)	27.17" (690mm)	4.45" (113mm)

THE INFORMATION ILLUSTRATED HEREIN IS THE EXCLUSIVE PROPERTY OF **savaria**.

UNLESS OTHERWISE SPECIFIED ALL DIMENSIONS ARE IN INCHES. ALL DIMENSIONS IN ( ) ARE METRIC. TOLERANCES ON:  
 DIM: ±.01 (0.25)  
 DIM: ±.005 (0.125)  
 DIM: ±.002 (0.050)  
 ANGLES: ±.1°

DO NOT SCALE DRAWING

REMOVE ALL BURRS & SHARP CORNERS

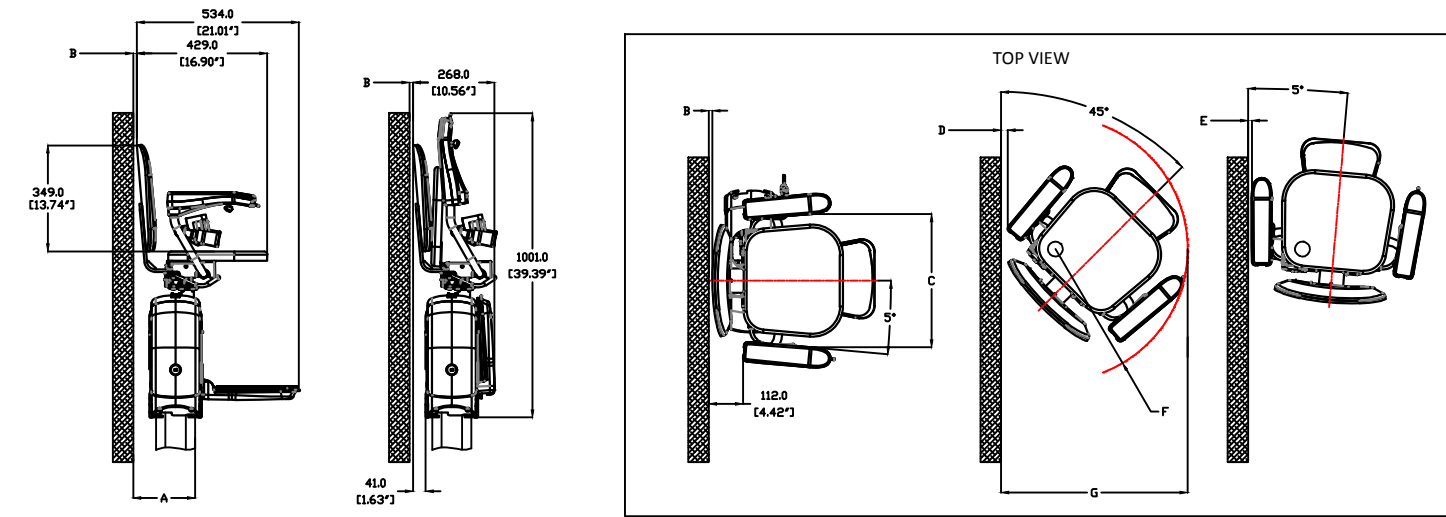
DESIGNED BY: DATE: SCALE: 1:1

DRAWN BY: DATE: 2015-12-11 DRAFTER:

TITLE: L-SEAT DIMENSIONAL LAYOUT

MATERIAL: FINISH: SHEET 1 OF 2 DRAWING NO:

REVISION: VERSION: SIZE: B



REVISIONS			
REV	ECD. NDL	DATE	REVISED BY

THE INFORMATION ILLUSTRATED HEREIN IS THE EXCLUSIVE PROPERTY OF **savaria**.

UNLESS OTHERWISE SPECIFIED ALL DIMENSIONS ARE IN INCHES. ALL DIMENSIONS IN ( ) ARE METRIC. TOLERANCES ON:  
 DIM: ±.01 (0.25)  
 DIM: ±.005 (0.125)  
 DIM: ±.002 (0.050)  
 ANGLES: ±.1°

DO NOT SCALE DRAWING

REMOVE ALL BURRS & SHARP CORNERS

DESIGNED BY: DATE: SCALE: 1:1

DRAWN BY: DATE: 2015-12-11 DRAFTER:

TITLE: L-SEAT MOUNTING DIMENSION

MATERIAL: FINISH: SHEET 2 OF 2 DRAWING NO:

REVISION: VERSION: SIZE: B