

# HOISTWAY 90° / ADJACENT EXIT PLATFORM (NO PIT) (COMM)

## VPL-3300B SERIES VERTICAL PLATFORM LIFT

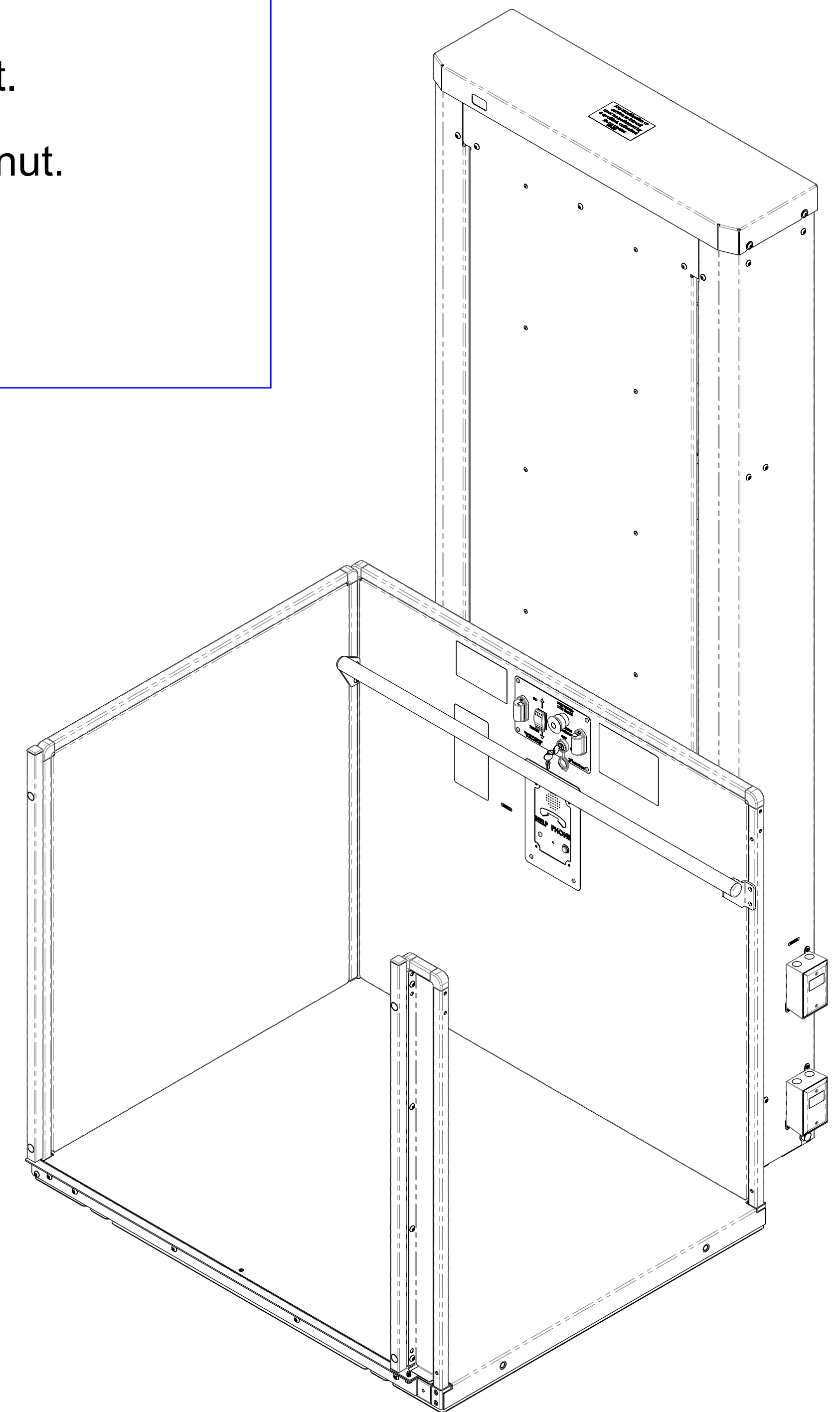
### TECHNICAL DATA/SPECIFICATIONS

|                           |  |
|---------------------------|--|
| RATED LOAD:               | 750 lbs maximum.   |
| INPUT POWER SOURCE:       |  |
| -DC BATTERY POWERED UNIT: | 110-120 Volt 3 Amp 60 Hz battery charger.  |
| DRIVE:                    |  |
| -DC BATTERY POWERED UNIT: | VPL-3353B/VPL-3375B:<br>1/2 hp motor, 1750 rpm, 24 VDC, continuous duty.<br>VPL-3310B/VPL-3312B/VPL-3314B:<br>1 hp motor, 1750 rpm, 24 VDC, continuous duty.                                 |
| INTERMEDIATE REDUCTION:   | Dual 4L style Poly-V belts and pulleys, 3.94:1 pulley reduction.   |
| FINAL DRIVE:              | VPL-3353B/VPL-3375B:<br>1" dia. ACME screw w/bronze nut and bronze safety back up nut.<br>VPL-3310B/VPL3312B/VPL-3314B:<br>1.25" dia. ACME screw w/bronze nut and bronze safety back up nut. |
| MOTOR CONTROLLER:         |  |
| -DC BATTERY POWERED UNIT: | 24 VDC Relay control.  |
| SPEED:                    |  |
| -DC BATTERY POWERED UNIT: | 10 feet per minute maximum   |

For complete technical specifications please see  
ILS-01100 "VPL-3300B Series Commercial Vertical Platform Lift Technical Specification"

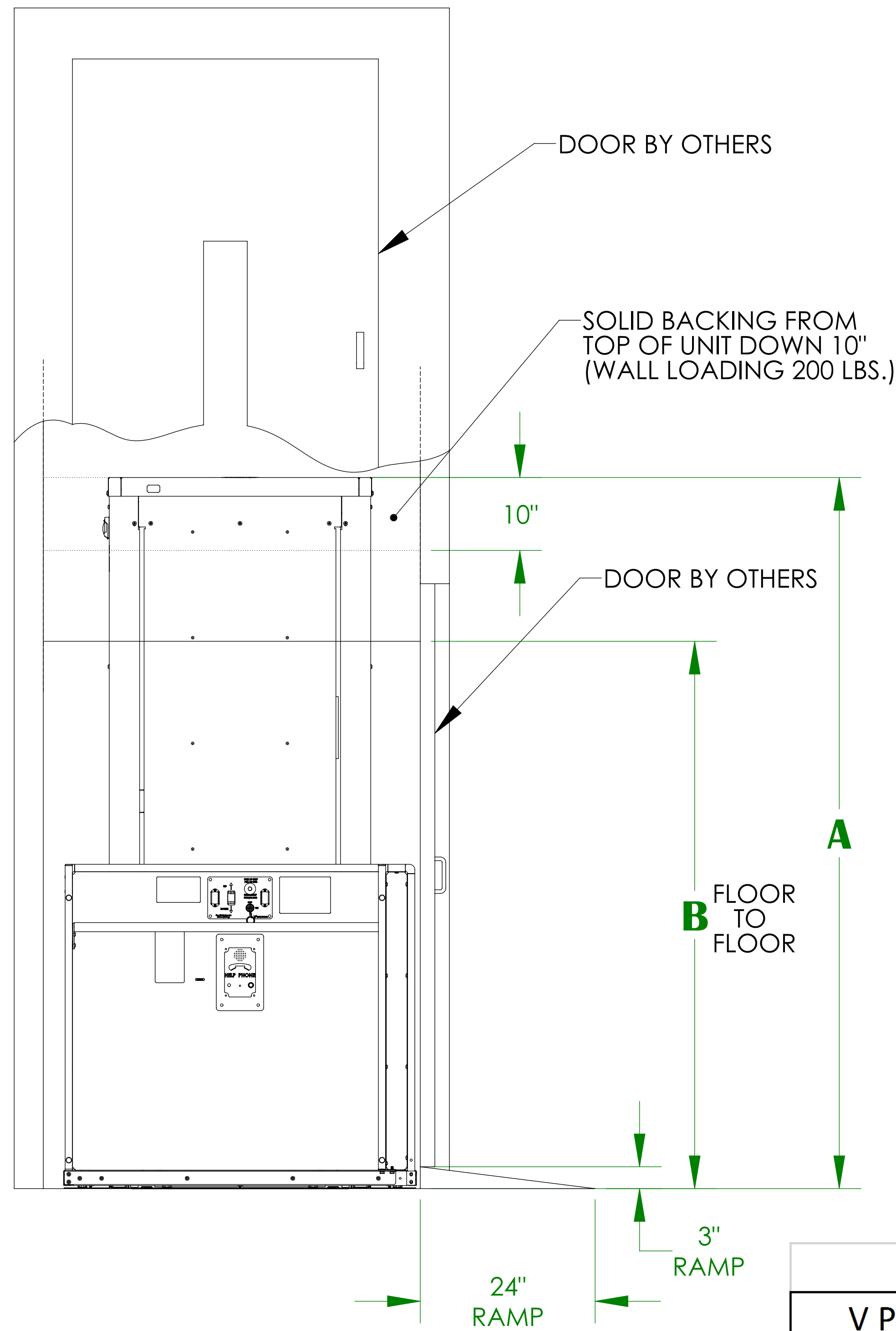
### PERFORMANCE STANDARDS

USA FOOD & DRUG ADMINISTRATION: CLASS II, 510(K) Exempt, File No. 890.3930,  
Product Code: PCE  
ASME A18.1-2011 (Section 2) Safety Standards for Platform Lifts and Stairway Chairlifts  
CSA B355-09 Lifts for Persons with Physical Disabilities  
CSA B44.1-11/ASME-A17.5-2011 Elevator and Escalator Electrical Equipment

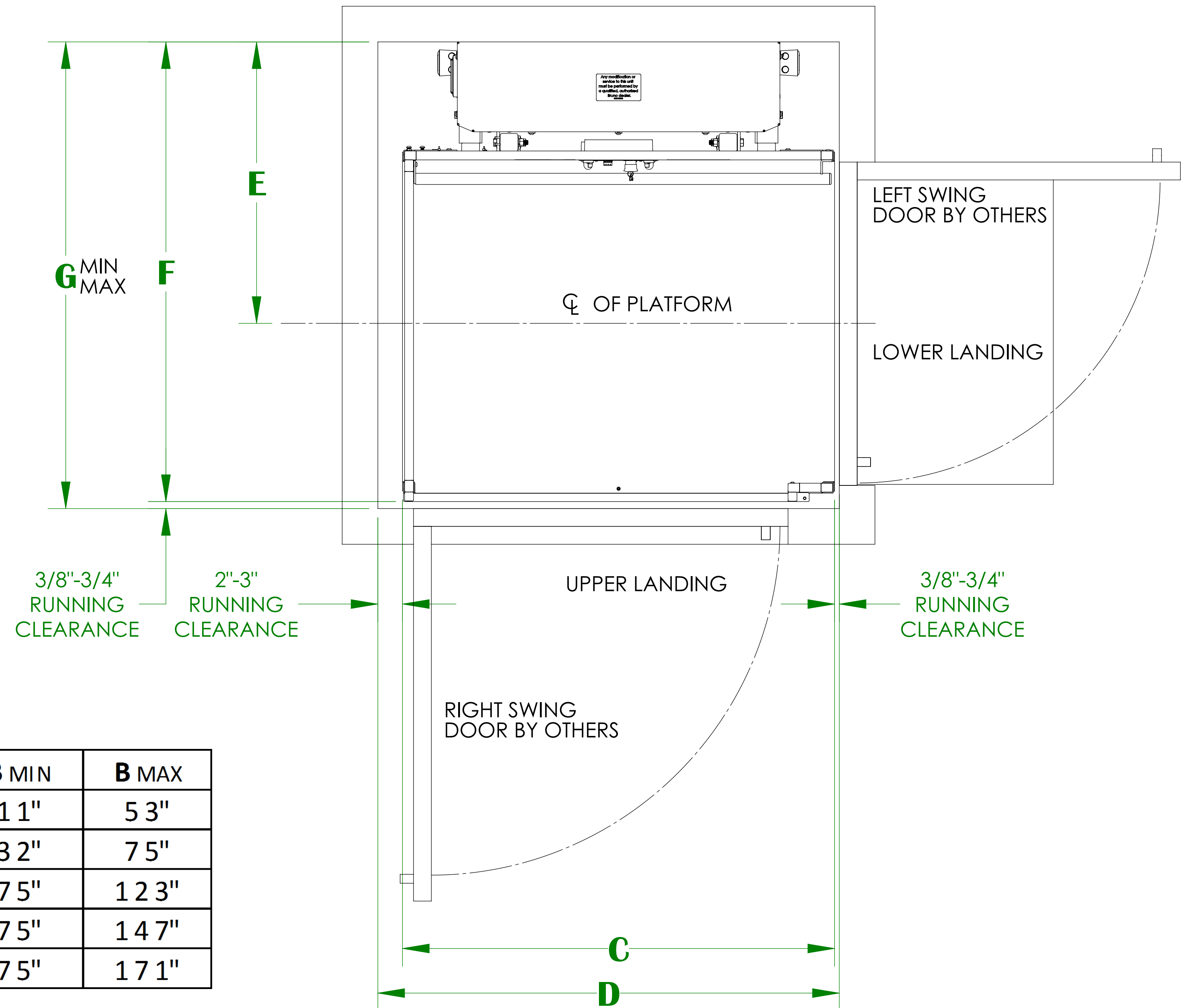


# HOISTWAY 90° / ADJACENT EXIT PLATFORM (NO PIT) (COMM)

## VPL-3300B SERIES VERTICAL PLATFORM LIFT



|                    | C        | D                    | E        | F         | G MIN    | G MAX    |
|--------------------|----------|----------------------|----------|-----------|----------|----------|
| 36" X 48" PLATFORM | 48-7/16" | 50-13/16" - 52-3/16" | 31-9/16" | 51-11/16" | 52-1/16" | 52-7/16" |
| 36" X 54" PLATFORM | 54-7/16" | 56-13/16" - 58-3/16" | 31-9/16" | 51-11/16" | 52-1/16" | 52-7/16" |
| 36" X 60" PLATFORM | 60-7/16" | 62-13/16" - 64-3/16" | 31-9/16" | 51-11/16" | 52-1/16" | 52-7/16" |
| 42" X 60" PLATFORM | 60-7/16" | 62-13/16" - 64-3/16" | 34-9/16" | 57-11/16" | 58-1/16" | 58-7/16" |



**ELEVATION VIEW**  
(RIGHT HAND UNIT SHOWN)

|                | A         | B MIN | B MAX |
|----------------|-----------|-------|-------|
| V P L - 3353 B | 75-9/16"  | 11"   | 53"   |
| V P L - 3375 B | 97-9/16"  | 32"   | 75"   |
| V P L - 3310 B | 148-1/16" | 75"   | 123"  |
| V P L - 3312 B | 172-1/16" | 75"   | 147"  |
| V P L - 3314 B | 196-1/16" | 75"   | 171"  |

**PLAN VIEW**  
(RIGHT HAND UNIT SHOWN)

- NOTES:**
- HOISTWAY IN ACCORDANCE WITH SAFETY CODES (ASME -A18.1) AND TO LOCAL CODES AND REGULATIONS. HOISTWAY TO BE FIRE RATED IN ACCORDANCE WITH APPLICABLE BUILDING CODES IF REQUIRED BY SUCH CODES.
  - PLUMB HOISTWAY DUE TO CLOSE RUNNING CLEARANCES. MUST BE CONSTRUCTED PLUMB ( $\pm 1/8$  IN) AND SQUARE AND TO SIZE SHOWN.
  - NO CONDUIT, WIRING OR PIPING OTHER THAN THAT PERTAINING TO THE UNIT IS PERMITTED IN THE HOISTWAY.



# HOISTWAY 90° / ADJACENT EXIT PLATFORM (NO PIT) (COMM)

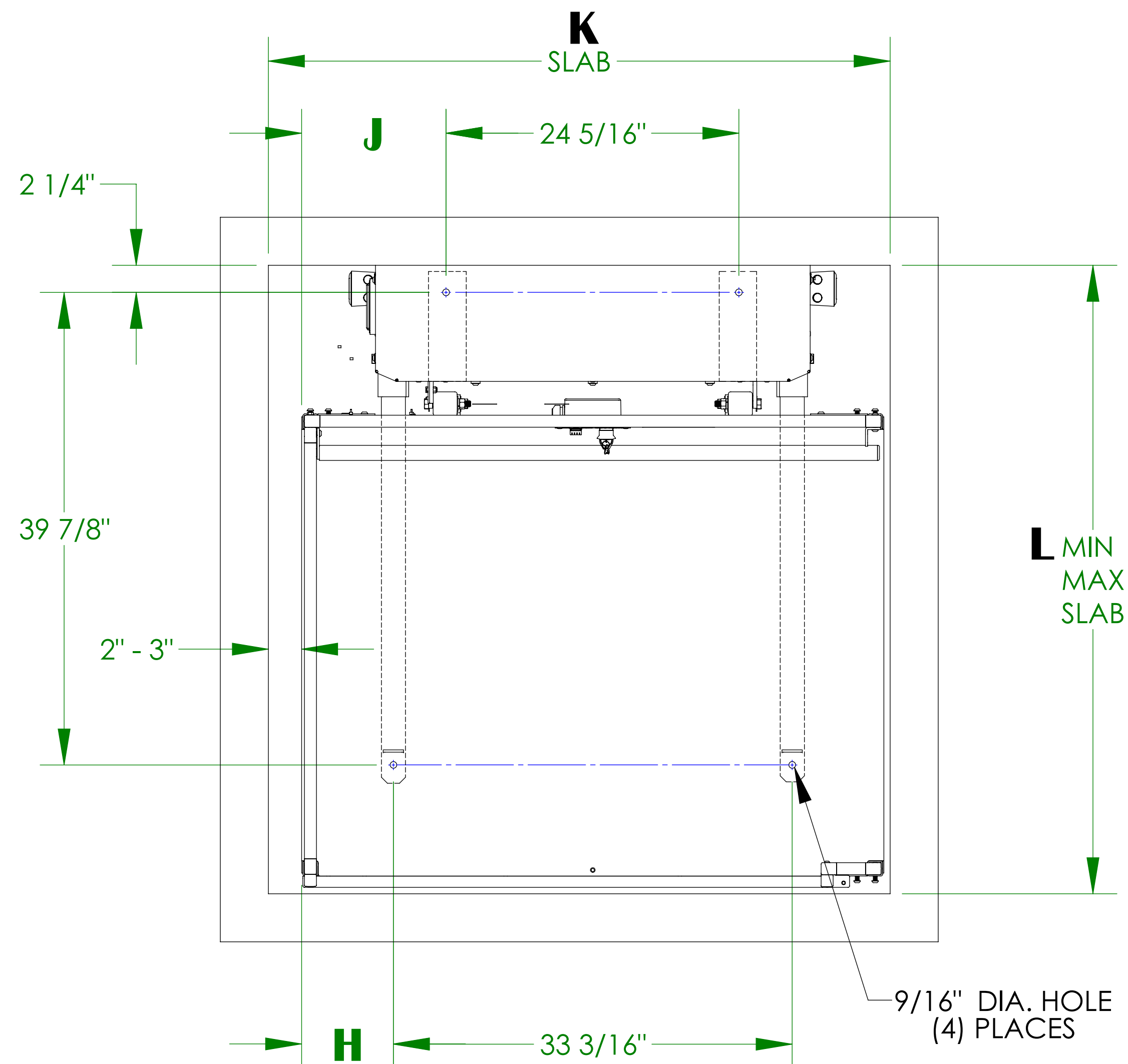
## VPL-3300B SERIES VERTICAL PLATFORM LIFT ANCHOR POINT LOCATIONS/SLAB DETAIL

### TECHNICAL SPECIFICATIONS

FLOOR ATTACHMENT:  
VPL MUST BE FASTENED TO CONCRETE SLAB USING FOUR (4) 1/2" (3/8" BOLT) X MINIMUM 2-1/2" LONG CONCRETE ANCHORS SUITABLE FOR THE ENVIRONMENT. FOLLOW SELECTED CONCRETE ANCHOR MANUFACTURERS GUIDELINES AND APPLICABLE CODES.

FLOOR REQUIREMENTS:  
4" THICK 3500 PSI MINIMUM COMPRESSIVE STRENGTH, REINFORCED CONCRETE SLAB.

For complete technical specifications please see  
ILS-01100 "VPL-3300B Series Commercial Vertical Platform Lift Technical Specification"



UNITS WITH 90° / ADJACENT EXIT PLATFORM

|                    | H       | J        | K                    | L MIN    | L MAX    |
|--------------------|---------|----------|----------------------|----------|----------|
| 36" X 48" PLATFORM | 7-5/8"  | 12-1/16" | 50-13/16" - 52-3/16" | 52-1/16" | 52-7/16" |
| 36" X 54" PLATFORM | 10-5/8" | 15-1/16" | 56-13/16" - 58-3/16" | 52-1/16" | 52-7/16" |
| 36" X 60" PLATFORM | 13-5/8" | 18-1/16" | 62-13/16" - 64-3/16" | 52-1/16" | 52-7/16" |
| 42" X 60" PLATFORM | 13-5/8" | 18-1/16" | 62-13/16" - 64-3/16" | 58-1/16" | 58-7/16" |