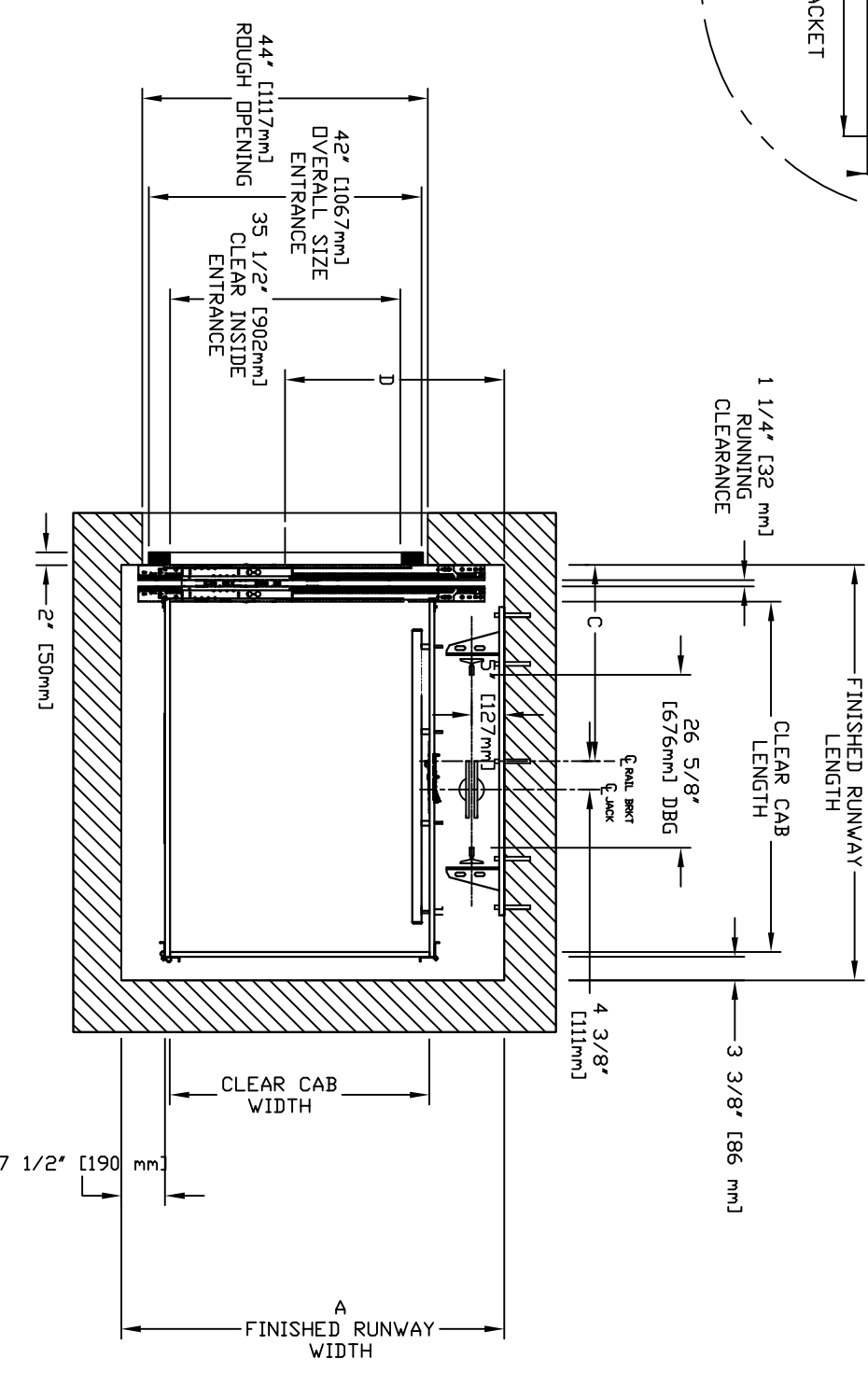
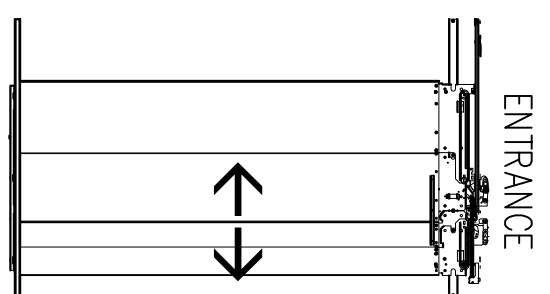
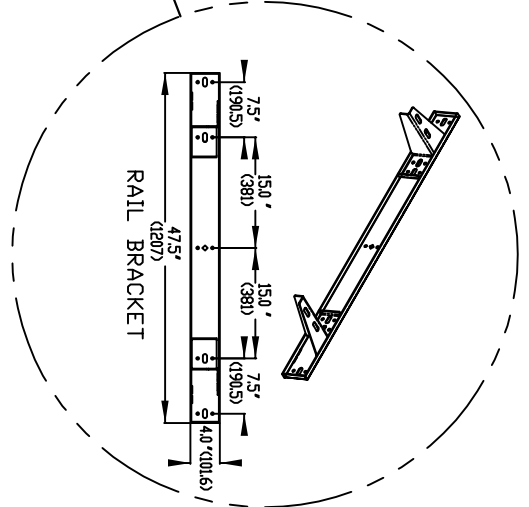
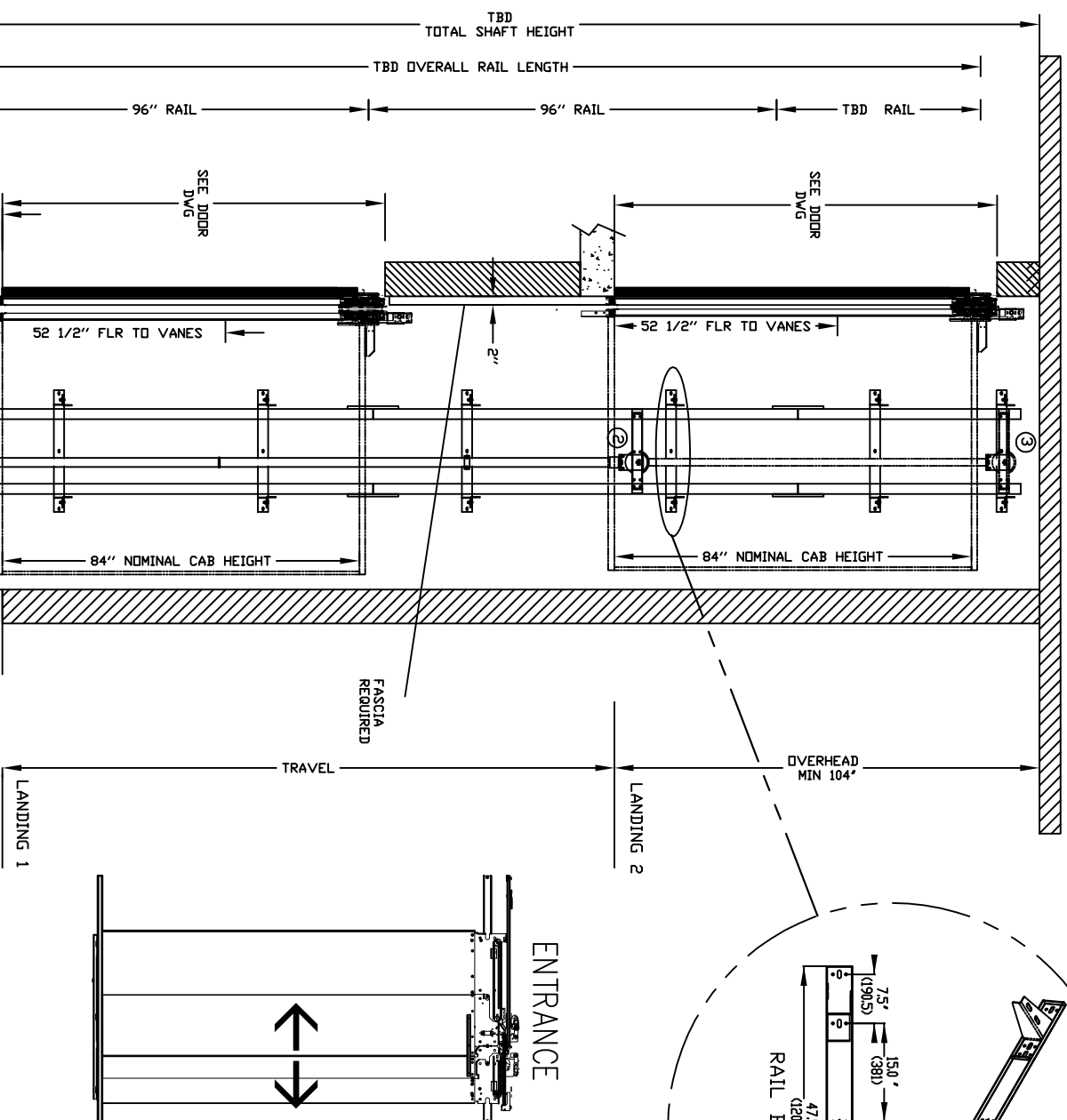


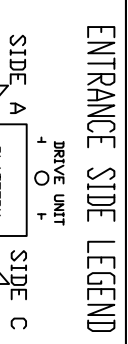
CHARACTERISTICS

- CAB DOOR TYPE: AUTO SLIM 2 SPEED DOORS
- ENTRANCE DOOR TYPE: AUTO SLIM 2 SPEED DOORS
- 2 SPEED DOORS FINISH: PAINT OR STAINLESS STEEL
- FULLY AUTOMATIC OPERATION TO OPEN THE DOORS UPON ARRIVAL AT THE LANDING
- LIGHTWEIGHT ALUMINUM SILL
- EMERGENCY BACK-UP BATTERY SYSTEM
- INFRARED DETECTION SYSTEM TO RETRACT DOORS BEFORE HITTING AN OBSTRUCTION



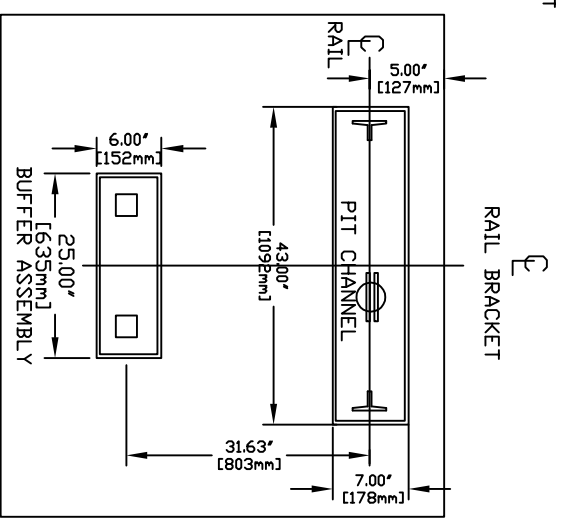
HD	CLEAR INSIDE CAB WIDTH		CLEAR INSIDE CAB LENGTH		A FINISHED RUNWAY WIDTH		B FINISHED RUNWAY LENGTH		C RAIL CENTER LINE		D DOOR CENTER LINE	
	mm	Inches	mm	Inches	mm	Inches	mm	Inches	mm	Inches	mm	Inches
914	36	1219	48	1499	59	1473	58	775	30.5	838	33.00	
914	36	1372	54	1499	59	1626	64	826	32.5	838	33.00	
914	36	1524	60	1499	59	1778	70	902	35.5	838	33.00	
1016	40	1372	54	1524	60	1626	64	826	32.5	883	34.3/4	
1219	48	1524	60	1626	64	1778	70	914	36.0	857	33.3/4	

DOCUMENT REVISION 001, DATE: 11/18/10



RESIDENTIAL ELEVATOR  
INFINITY SLIMS DOORS TYPE 1L

RAIL FORCES		R3 NOTE:	
* R1	* R2	PIT FLOOR TO SUPPORT LOAD OF:	
304lbf.	194lbf.	5skips * (INCLUDES IMPACT)	
FOR TOTAL PULL-OUT FORCE ON RAIL BRACKET, R1 MUST BE DOUBLED eg.			
RAIL WEIGHT : 80 lbs / ft			



ALL INFORMATION IS SUBJECT TO CHANGE.  
PLEASE REFERENCE OUR ON-LINE DRAWINGS AT  
[www.savaria.com](http://www.savaria.com) FOR THE MOST RECENT UPDATES

