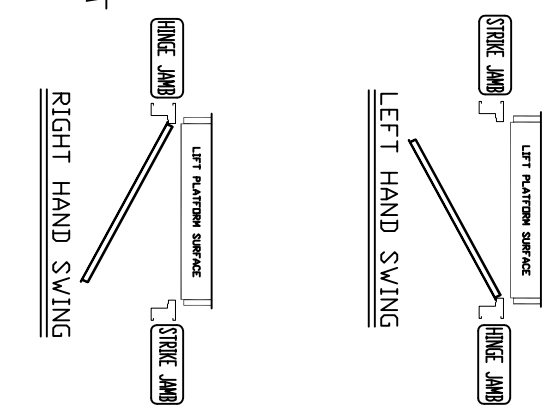
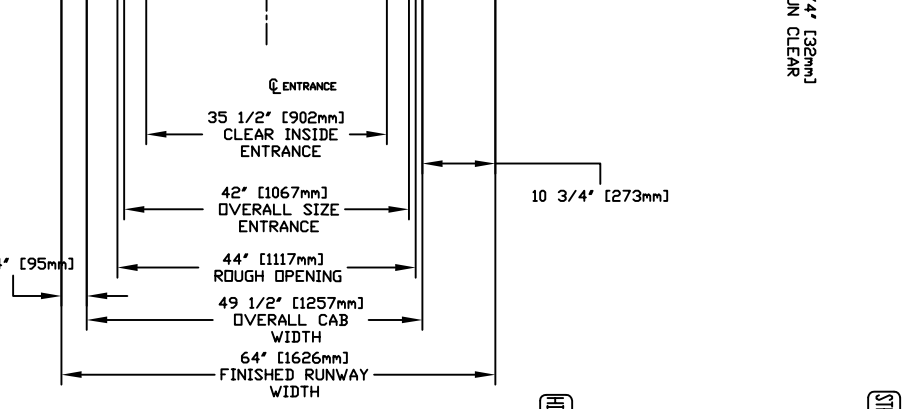
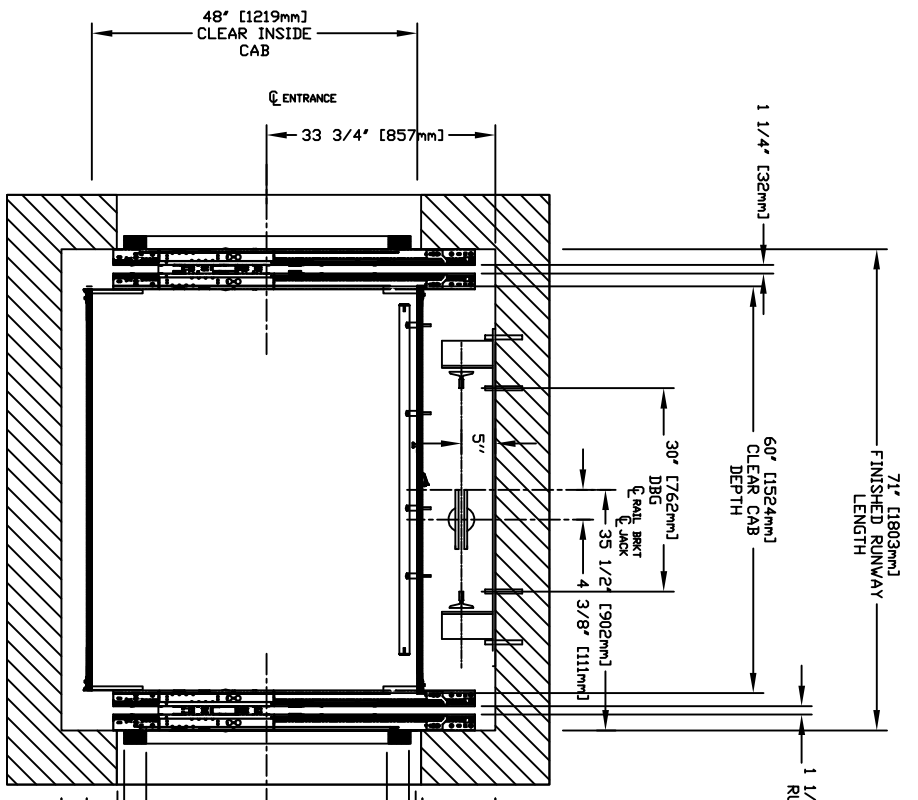


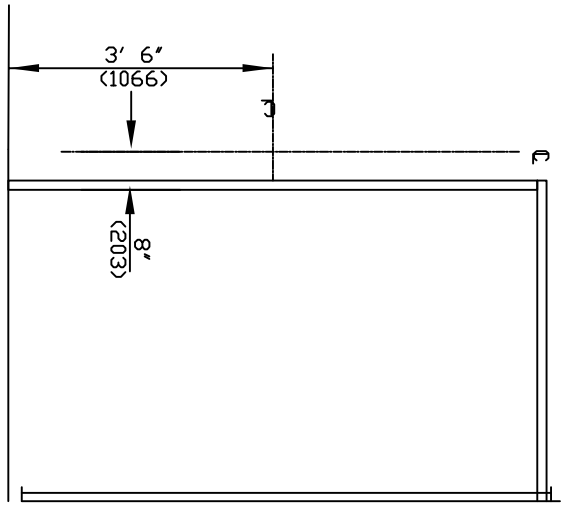
TOP RAIL BRACKET (3)	AT TOP OF HOISTWAY CONSULT YOUR REPRESENTATIVE FOR EXACT LOCATION
INTERMEDIATE RAIL BRACKET (2)	48" INTERVALS ABOVE BOTTOM BRACKET
BOTTOM RAIL BRACKET (1)	24" ABOVE PIT FLOOR



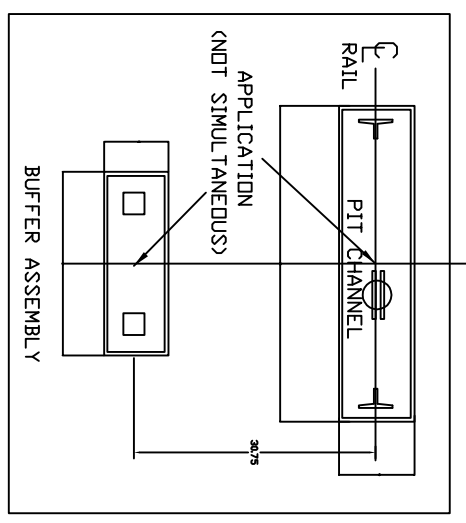
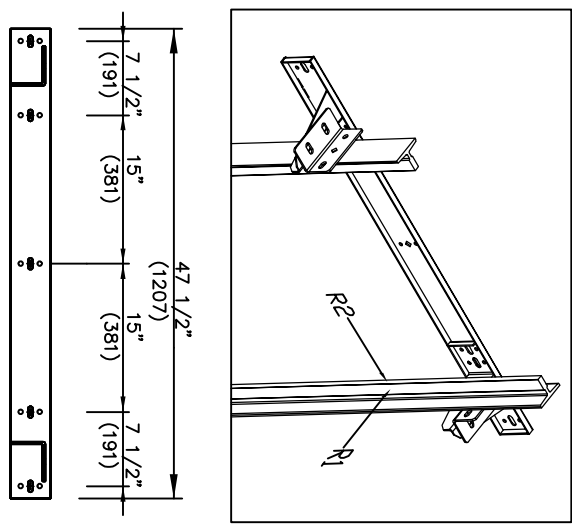
MAX. SPEED (ft/min)	MIN. PIT	TOTAL TRAVEL	MINIMUM OVERHEAD
30	12" ***		104" (2642)

*** NOTE: Additional pit equipment required when over 36" deep, consult your local dealer for details

FLOOR No.	REAR	FRONT	FLOOR HEIGHT
TOTAL RISE			



RAIL FORCES		R3 NOTE:	
* R1	422lbf.	PIT FLOOR TO SUPPORT LOAD OF: 822kips * (INCLUDES IMPACT)	
* R2	251lbf.	FOR TOTAL PULL-OUT FORCE ON RAIL BRACKET, R1 MUST BE DOUBLED eg. 844LBF.	
RAIL WEIGHT: 80 lbs / ft		FOR LOCAL APPLICATION OF PIT LOAD, SEE PIT CHANNEL/BUFFER SKETCH.	



DOCUMENT REVISION #0, DATE: 04/26/10

RESIDENTIAL WHEELCHAIR LIFT
INFINITY HD MODEL 4860 2SPD

CUSTOMER: _____ DATE: _____
 PROJECT: _____ PERSON DATE: _____
 LOCATION: _____ COMPLETED BY: _____
 JOB No. _____ SHEET No. _____
savaria