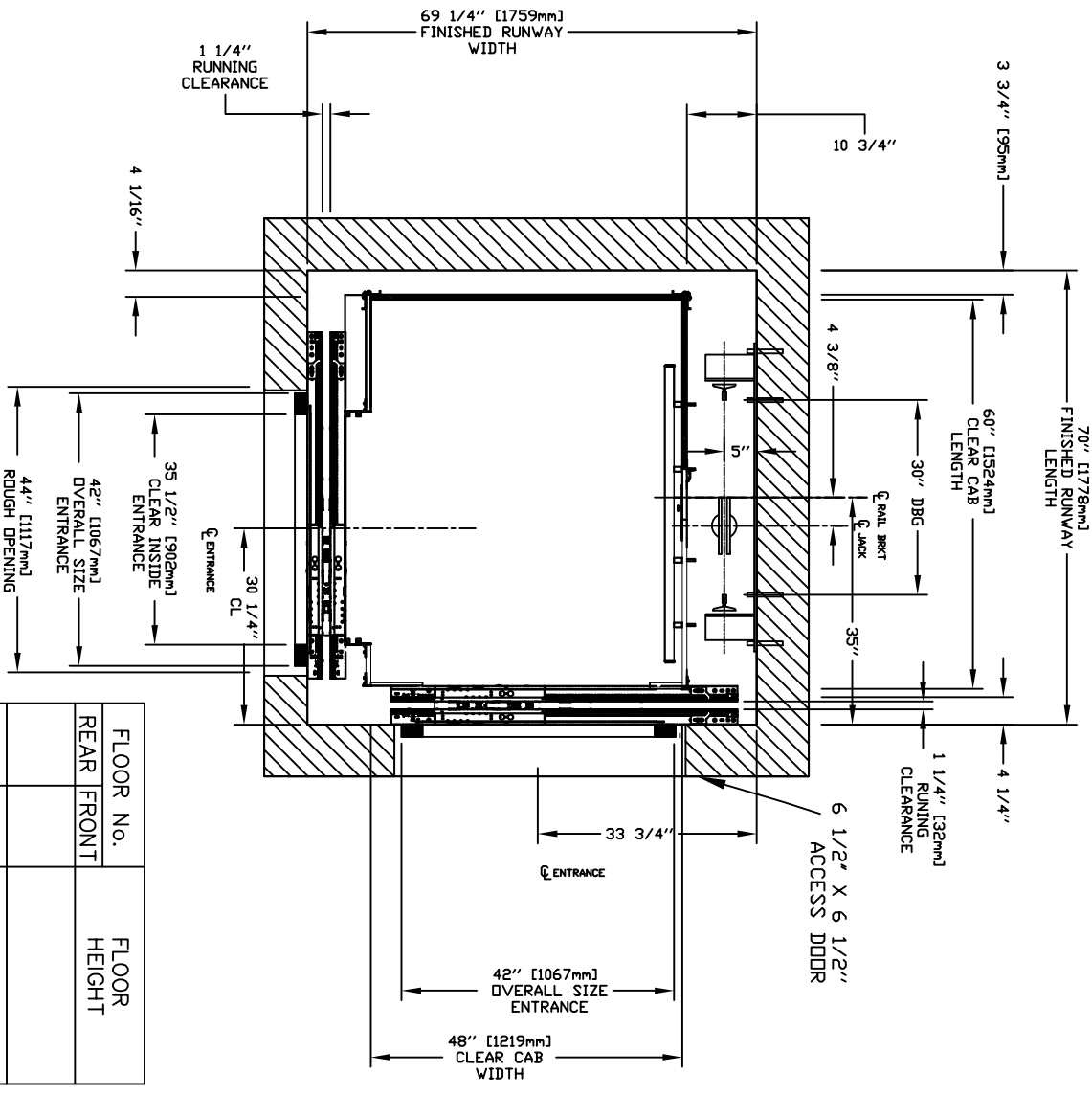


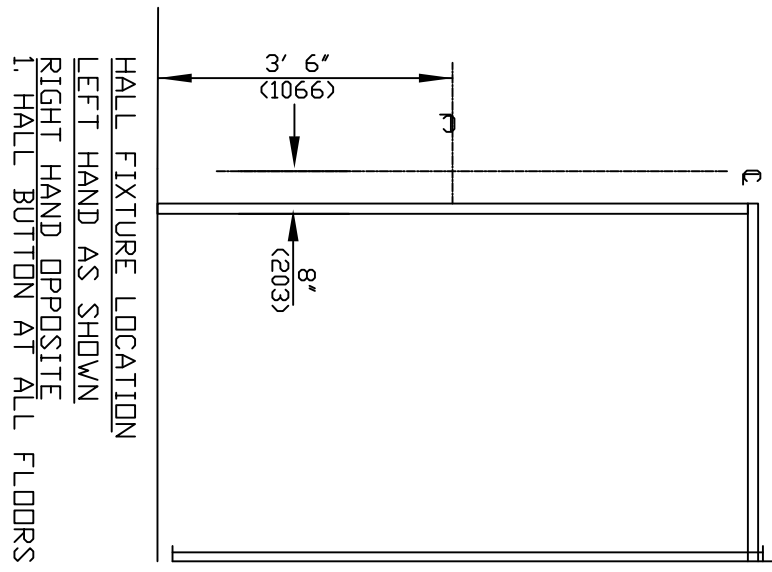
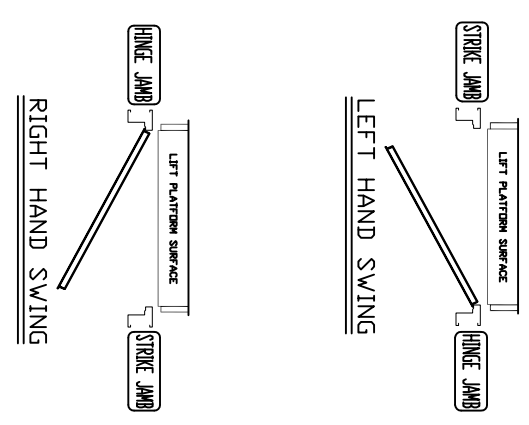
TOP RAIL BRACKET (3)	AT TOP OF HOISTWAY CONSULT YOUR CONCORD REPRESENTATIVE FOR EXACT LOCATION
INTERMEDIATE RAIL BRACKET (2)	48" INTERVALS ABOVE BOTTOM BRACKET
BOTTOM RAIL BRACKET (1)	24" ABOVE PIT FLOOR



MAX. SPEED (ft./min)	MIN. PIT	TOTAL TRAVEL	MINIMUM OVERHEAD
30	12" ***		104" (2642)

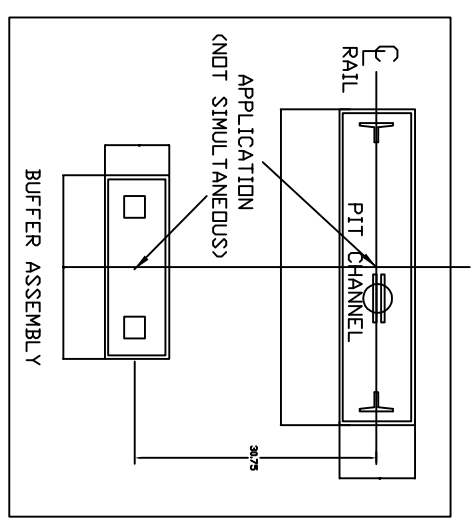
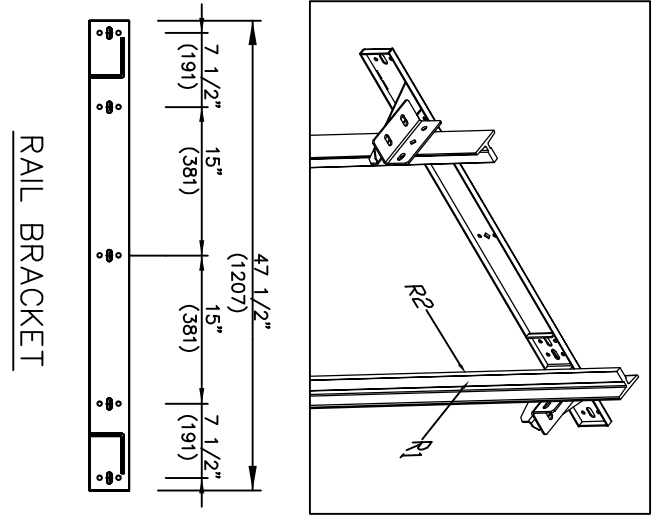
*** NOTE: Additional pit equipment required when over 36" deep, consult your local dealer for details

FLOOR No.	REAR FRONT	FLOOR HEIGHT	TOTAL RISE



*R1	*R2
422lbf.	251lbf.
RAIL WEIGHT : 80 lbs / ft	

FOR TOTAL PULL-OUT FORCE ON RAIL BRACKET, R1 MUST BE DOUBLED eg. 844LBF.
SEE PIT CHANNEL/BUFFER SKETCH.



DOCUMENT REVISION #0, DATE: 04/26/10

RESIDENTIAL WHEELCHAIR LIFT
INFINITY HD MODEL 4860 2SPD

CUSTOMER:	DATE:	
PROJECT:	PERSON DATE:	
LOCATION:	COMPLETED BY:	
JOB No.		SHEET No.