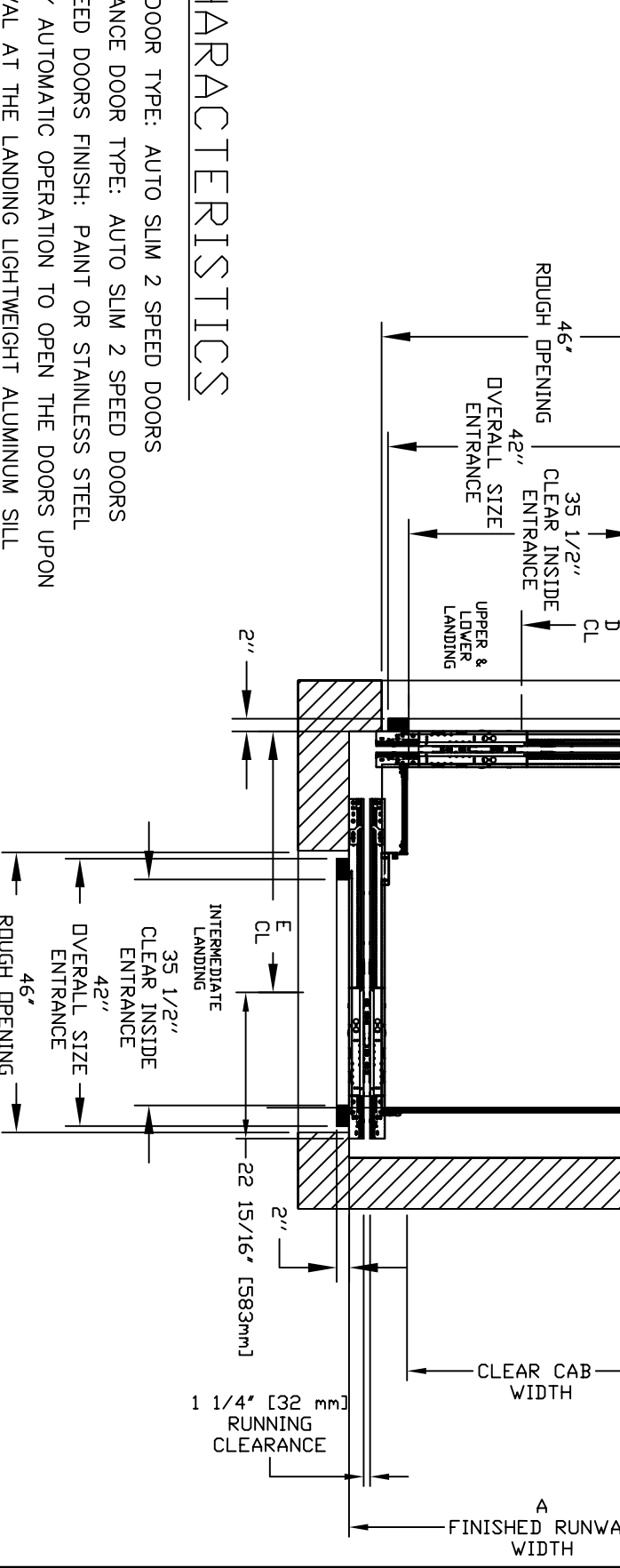
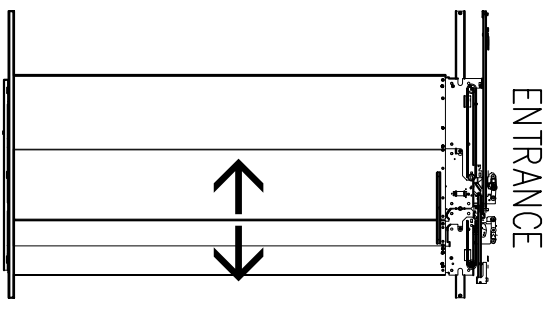
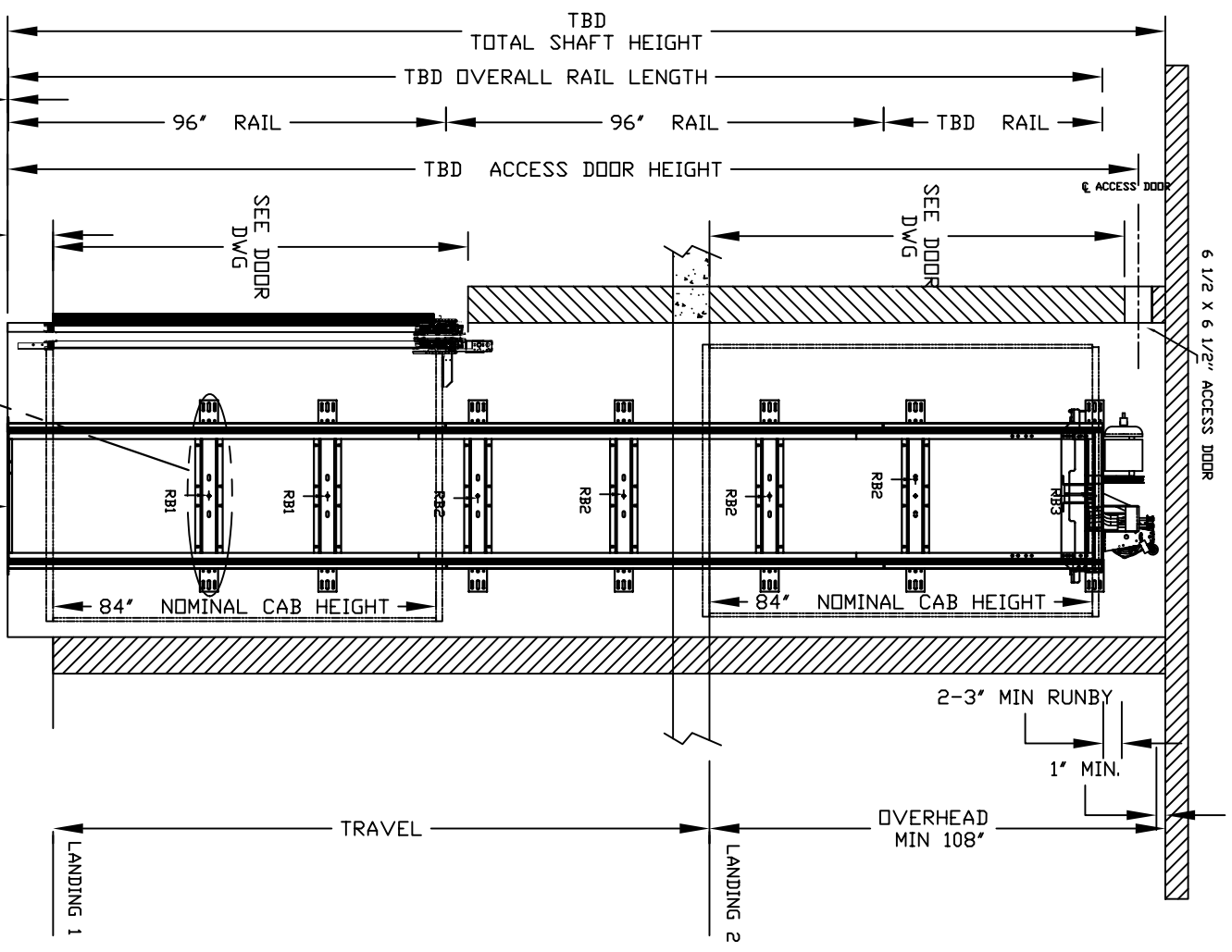


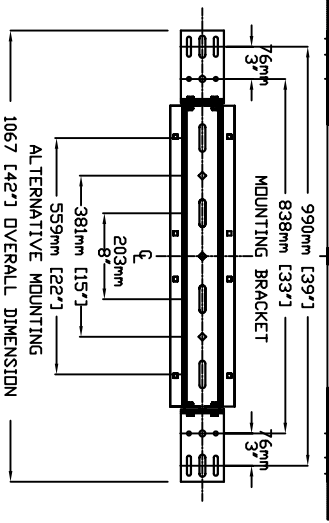
GEARLESS AUTO SLIM DOORS Model TYPE 4



CHARACTERISTICS

- CAB DOOR TYPE: AUTO SLIM 2 SPEED DOORS
- ENTRANCE DOOR TYPE: AUTO SLIM 2 SPEED DOORS
- 2 SPEED DOORS FINISH: PAINT OR STAINLESS STEEL
- FULLY AUTOMATIC OPERATION TO OPEN THE DOORS UPON ARRIVAL AT THE LANDING LIGHTWEIGHT ALUMINUM SILL
- EMERGENCY BACK-UP BATTERY SYSTEM
- INFRARED DETECTION SYSTEM TO RETRACT DOORS BEFORE HITTING AN OBSTRUCTION

CANNOT HAVE HABITABLE SPACE BELOW PIT



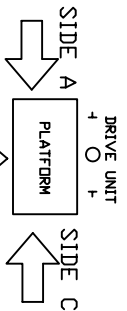
LOAD BEARING WALL (SEE PLANNING GUIDE)
1/8" PIT DEPTH MIN 8"
T/O PIT 0"

FINAL RAIL BRACKET	RB3	BELOW THE MOTOR CONCORD REPRESENTATIVE FOR EXACT LOCATION
INTERMEDIATE RAIL BRACKET	RB2	32" [813mm] INTERVALS AFTER 2nd BOTTOM BRACKET
BOTTOM RAIL BRACKET	RB1	39" [991mm] & 71" [1804mm] ABOVE PIT FLOOR

RAIL FORCES	
*R1	*R2
138.2 kg [304.16ft]	88.2 kg [194.16ft]
24.5 kg / m	118.0 lbs / ft
PIT FLOOR TO SUPPORT LOAD (INCLUDES IMPACT)	
2909 kg [6400 lbs]	

CLEAR INSIDE CAB WIDTH	CLEAR INSIDE CAB LENGTH	A		B		C		D		E			
		FINISHED RUNWAY WIDTH	FINISHED RUNWAY LENGTH	FINISHED RUNWAY WIDTH	FINISHED RUNWAY LENGTH	RAIL CENTER LINE	DOOR CENTER LINE	DOOR CENTER LINE	DOOR CENTER LINE				
914	36	1372	54	1540	60 5/8	1702	67	838	33	838	33	1064	41 7/8
914	36	1524	60	1540	60 5/8	1854	73	914	36	838	33	1216	47 7/8
1016	40	1372	54	1581	62 1/4	1702	67	838	33	883	34.75	1064	41 7/8

ENTRANCE SIDE LEGEND



DOCUMENT REVISION 000, DATE: 02/21/12

RESIDENTIAL ELEVATOR GEARLESS SLIMS DOORS TYPE 4

ALL INFORMATION IS SUBJECT TO CHANGE. PLEASE REFERENCE OUR ON-LINE DRAWINGS AT WWW.SAVARIA.COM FOR THE MOST RECENT UPDATES

