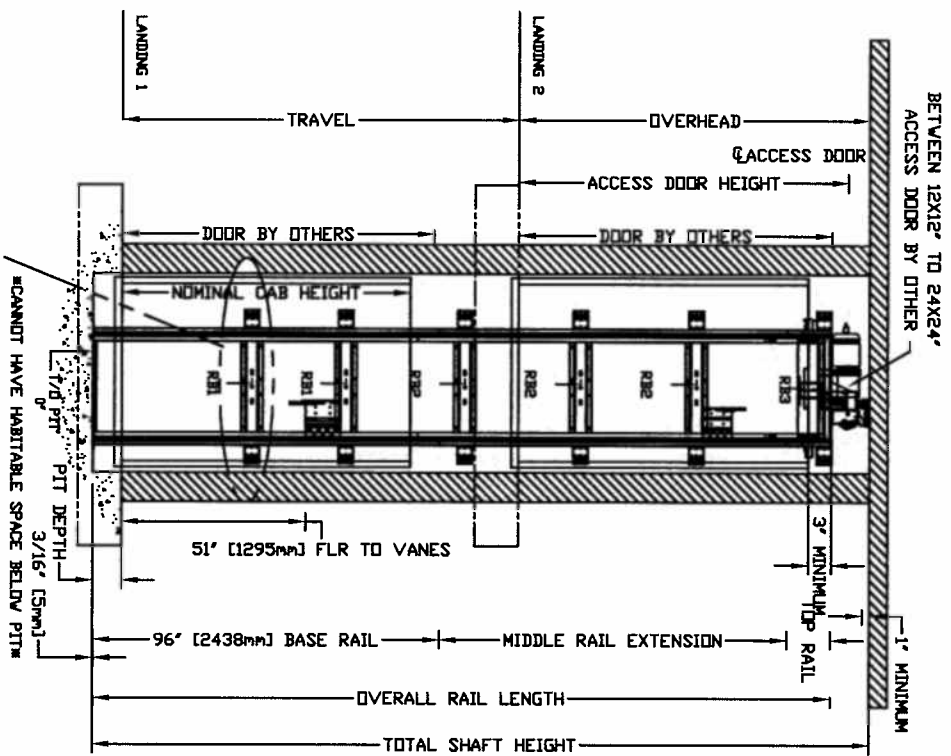
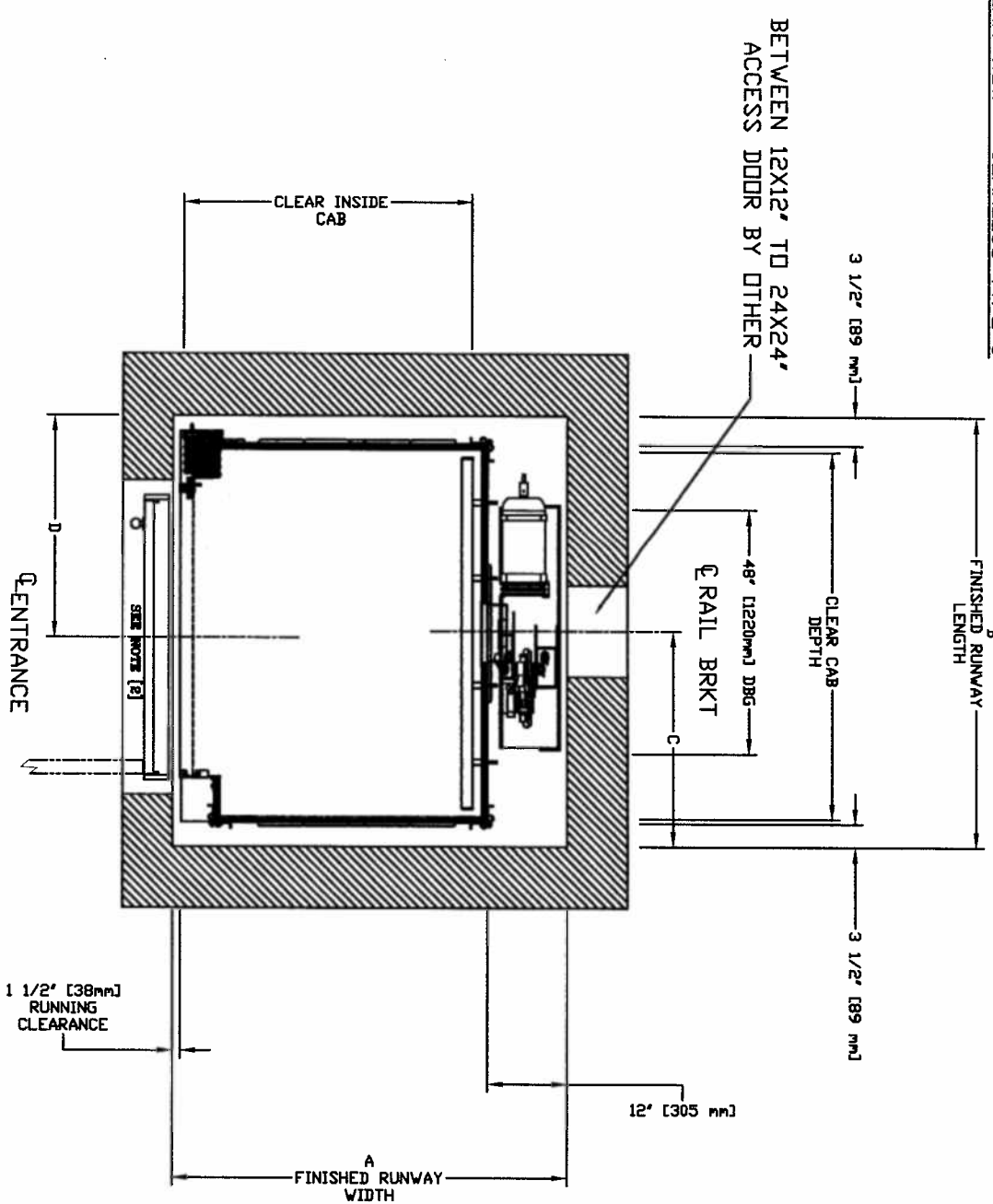


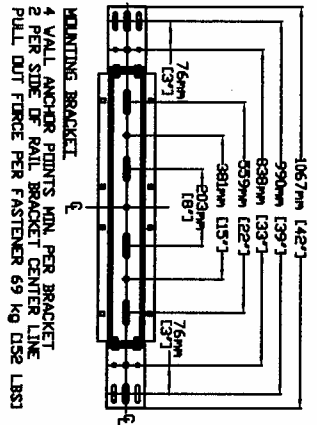
SECTIONAL VIEW - GEARLESS TYPE 5



PLAN VIEW - GEARLESS TYPE 5



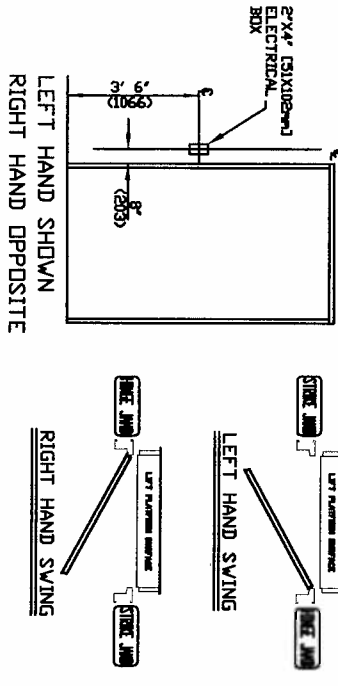
2 MOUNTING POSITIONS CENTER OR SIDE



FINAL RAIL BRACKET RB3	BELOW THE MOTOR CONCORD REPRESENTATIVE FOR EXACT LOCATION
INTERMEDIATE RAIL BRACKET RB2	32" (813mm) INTERVALS AFTER 2nd BOTTOM BRACKET
BOTTOM RAIL BRACKET RB1	44" (1118mm) & 7" (180.4mm) ABOVE PIT FLOOR

4 WALL ANCHOR POINTS MIN PER BRACKET
2 PER SIDE OF RAIL BRACKET CENTER LINE
PULL OUT FORCE PER FASTENER 69 kg (152 LBS)

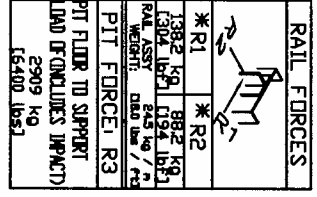
HALL BUTTON NEEDED AT ALL FLOORS



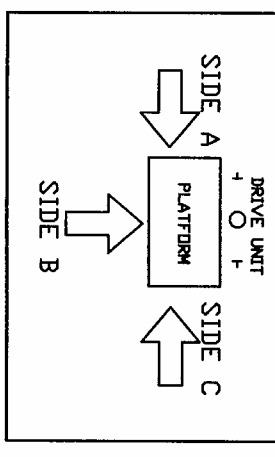
DOOR SWING

CLEAR INSIDE CAB WIDTH	CLEAR INSIDE CAB LENGTH	A FINISHED RUNWAY WIDTH		B FINISHED RUNWAY LENGTH		C RAIL CENTER LINE		D DOOR CENTER LINE			
		mm	Inches	mm	Inches	mm	Inches	mm	Inches		
914	36	1219	48	1403	55 1/4	1435	56 1/2	718	28 1/4	718	28 1/4
914	36	1372	54	1403	55 1/4	1588	62 1/2	794	31 1/4	794	31 1/4
914	36	1524	60	1403	55 1/4	1740	68 1/2	870	34 1/4	870	34 1/4
1016	40	1372	54	1505	59 1/4	1588	62 1/2	794	31 1/4	794	31 1/4

RAIL FORCES



ENTRANCE SIDE LEGEND



RESIDENTIAL ELEVATOR GEARLESS TYPE 5

CUSTOMER	DATE	REVISION	DATE
PROJECT	REVISION	DATE	DATE
LOCATION	COMPLETED BY	DATE	DATE

THE INFORMATION DISCLOSED HEREIN IS THE EXCLUSIVE PROPERTY OF Savarida

NO MAY NOT BE COPIED BY OTHERS WITHOUT PRIOR WRITTEN CONSENT

1/1