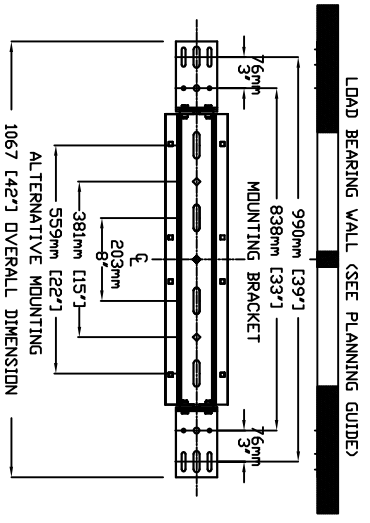
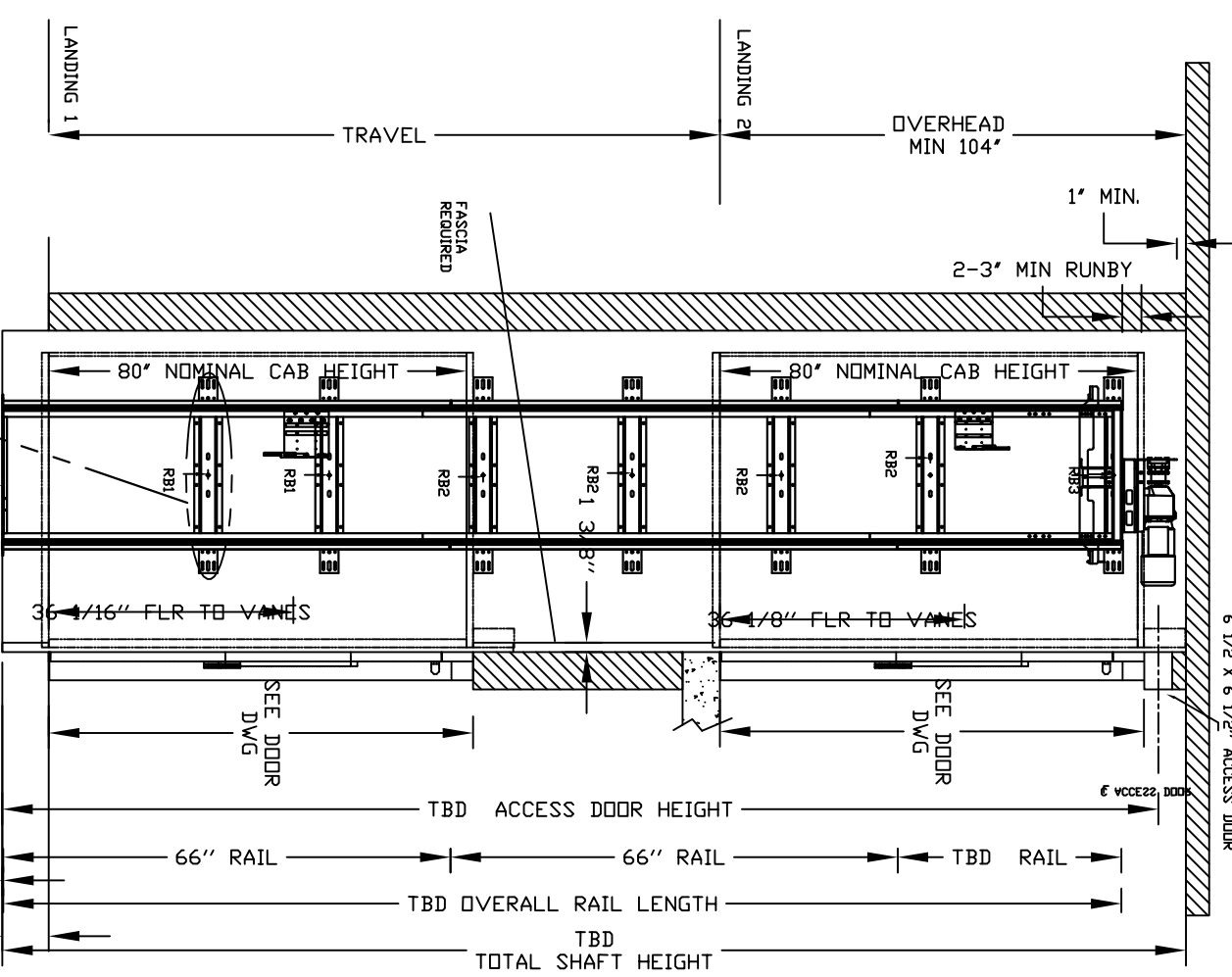


ECLIPSE BIFOLD Model TYPE 1R

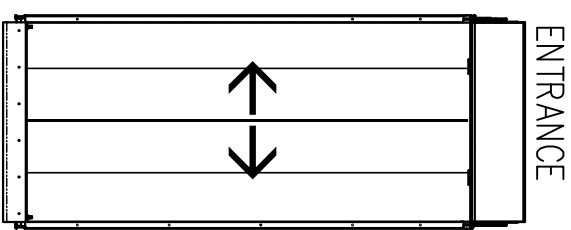
6 1/2" x 6 1/2" ACCESS DOOR



MOUNTING BRACKET
 4 WALL ANCHOR POINTS MIN. PER BRACKET
 2 PER SIDE OF RAIL BRACKET CENTER LINE
 PULL OUT FORCE PER FASTENER 69 kg [152 LBS]

RAIL FORCES	*R1	*R2
FINAL RAIL BRACKET	RB3	THE MOTOR CONCORD REPRESENTATIVE FOR EXACT LOCATION
INTERMEDIATE RAIL BRACKET	RB2	32" [813mm] INTERVALS AFTER 2nd BOTTOM BRACKET
BOTTOM RAIL BRACKET	RB1	39" [991mm] & 71" [1804mm] ABOVE PIT FLOOR

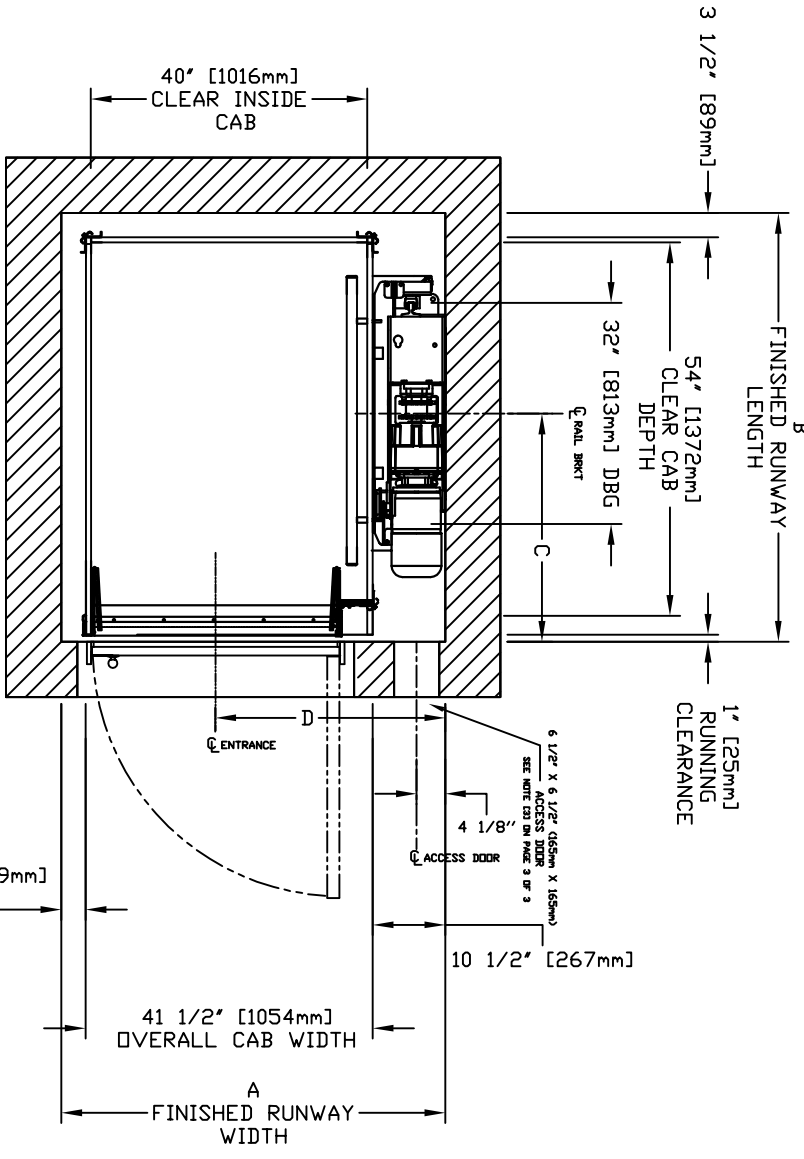
RAIL FORCES	*R1	*R2
RAIL ASST WEIGHT:	1382 kg [304 lbf]	882 kg [194 lbf]
RAIL ASST WEIGHT:	24.5 kg / m [54 lbs / ft]	18.0 lbs / ft
PIT FORCE: R3		
PIT FLOOR TO SUPPORT LOAD (INCLUDES IMPACT)		
	2909 kg	6400 lbs



ENTRANCE

CHARACTERISTICS

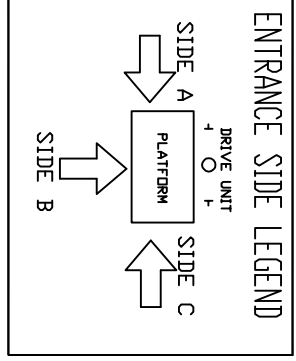
CAB DOOR TYPE: AUTO BIFOLD DOORS
 ENTRANCE DOOR TYPE: SWING DOORS
 BIFOLD DOORS FINISH: PAINT OR STAINLESS STEEL
 FULLY AUTOMATIC OPERATION TO OPEN THE DOORS UPON ARRIVAL AT THE LANDING
 LIGHTWEIGHT ALUMINUM SILL
 FOR CAB LONGER THAN 54" EXTENSION PANELS WILL BE PROVIDED AT THE ENDS OF EACH WALLS



CLEAR INSIDE CAB WIDTH	CLEAR INSIDE CAB LENGTH	A		B		C		D			
		mm	Inches	mm	Inches	mm	Inches	mm	Inches		
1016	40	1219	48	1410	55 1/2	1422	56	762	30	845	33 1/4
1016	40	1372	54	1410	55 1/2	1575	62	838	33	845	33 1/4
1016	40	1524	60	1410	55 1/2	1727	68	914	36	845	33 1/4

DOCUMENT REVISION 000, DATE: 01/25/17

RESIDENTIAL ELEVATOR ECLIPSE BIFOLD TYPE 1R



ALL INFORMATION IS SUBJECT TO CHANGE.
 PLEASE REFERENCE OUR ON-LINE DRAWINGS AT
www.savaria.com FOR THE MOST RECENT UPDATES

THE INFORMATION DISCLOSED HEREIN IS THE EXCLUSIVE PROPERTY OF
savaria