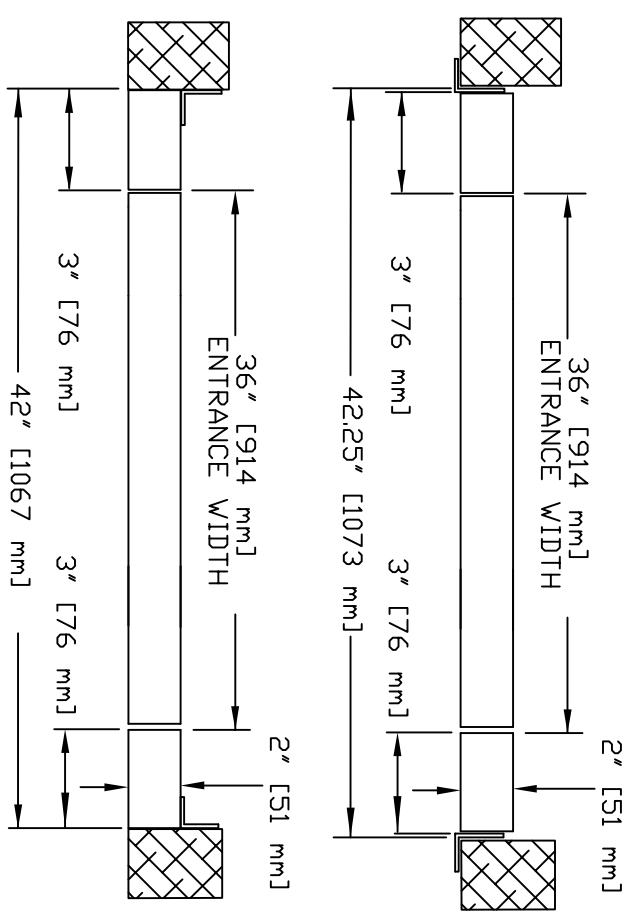
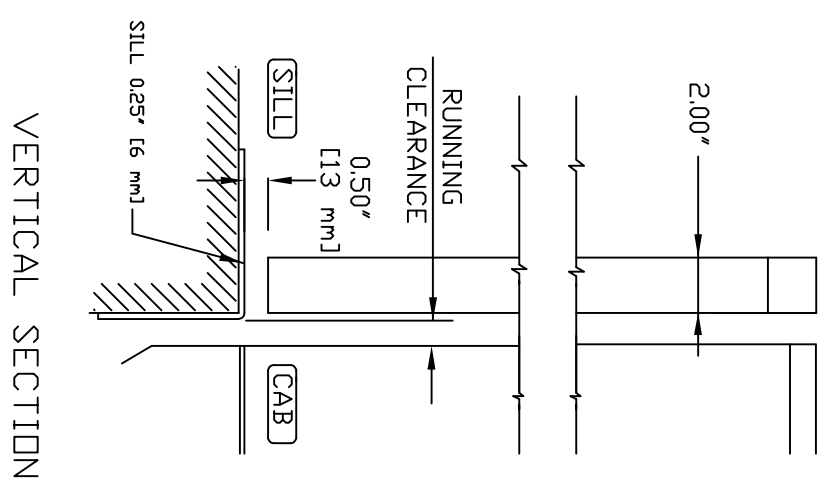


LEFT HAND SWING



NOTES:
 A. DRYWALL OR PARGING (BY OTHERS) AS REQ'D.
 B. SEE DATASHEET OF THE INSTALLATION DRAWING FOR LANDING ENTRANCE SCHEDULE.
 C. ALL INFORMATION IS SUBJECT TO CHANGE.

GENERAL INFORMATIONS:
 - EACH LANDING ENTRANCE SHALL BE SUPPLIED AS A FINISHED ASSEMBLY WITH GATE AND FRAME BLANKED, REINFORCED, DRILLED AND TAPPED FOR ALL COMPONENTS DETAILED, READY FOR INSTALLATION.
 - DIFFERENT PANEL INSERT MATERIALS ARE OPTIONAL.
 - DIFFERENT LOCKS SUCH AS GAL, DR WR500 ARE OPTIONAL.
 - AUTO GATE: ANNY OPERATOR IS PROVIDED.

CUSTOMER: _____
 PROJECT: _____
 ADDRESS: _____
 DATE: MM/DD/YY _____
 PERSON DATE: MM/DD/YY _____
 COMPLETED BY: _____

Part No. _____
 Variant No. _____

JOB No. _____
 JOB NUMBER 1 OF 1
 SHEET No. _____

42 AUTO LH 36" HALF GATE