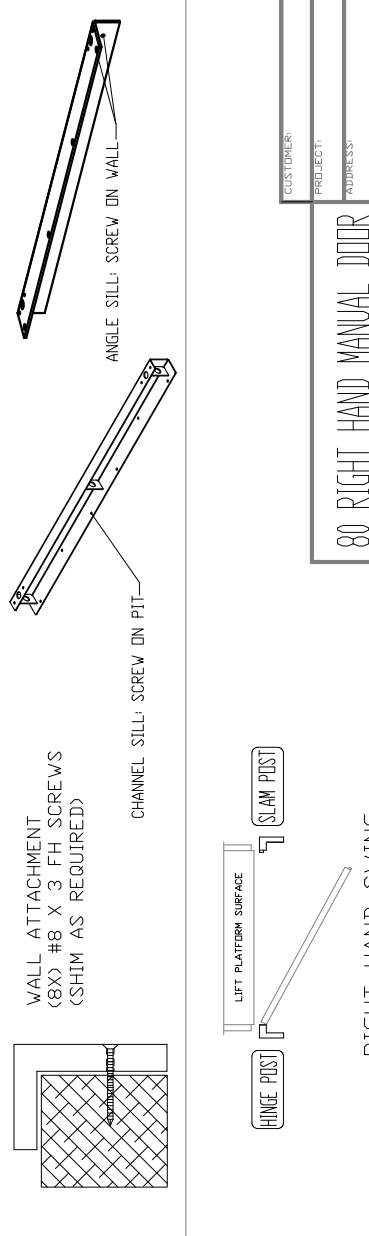
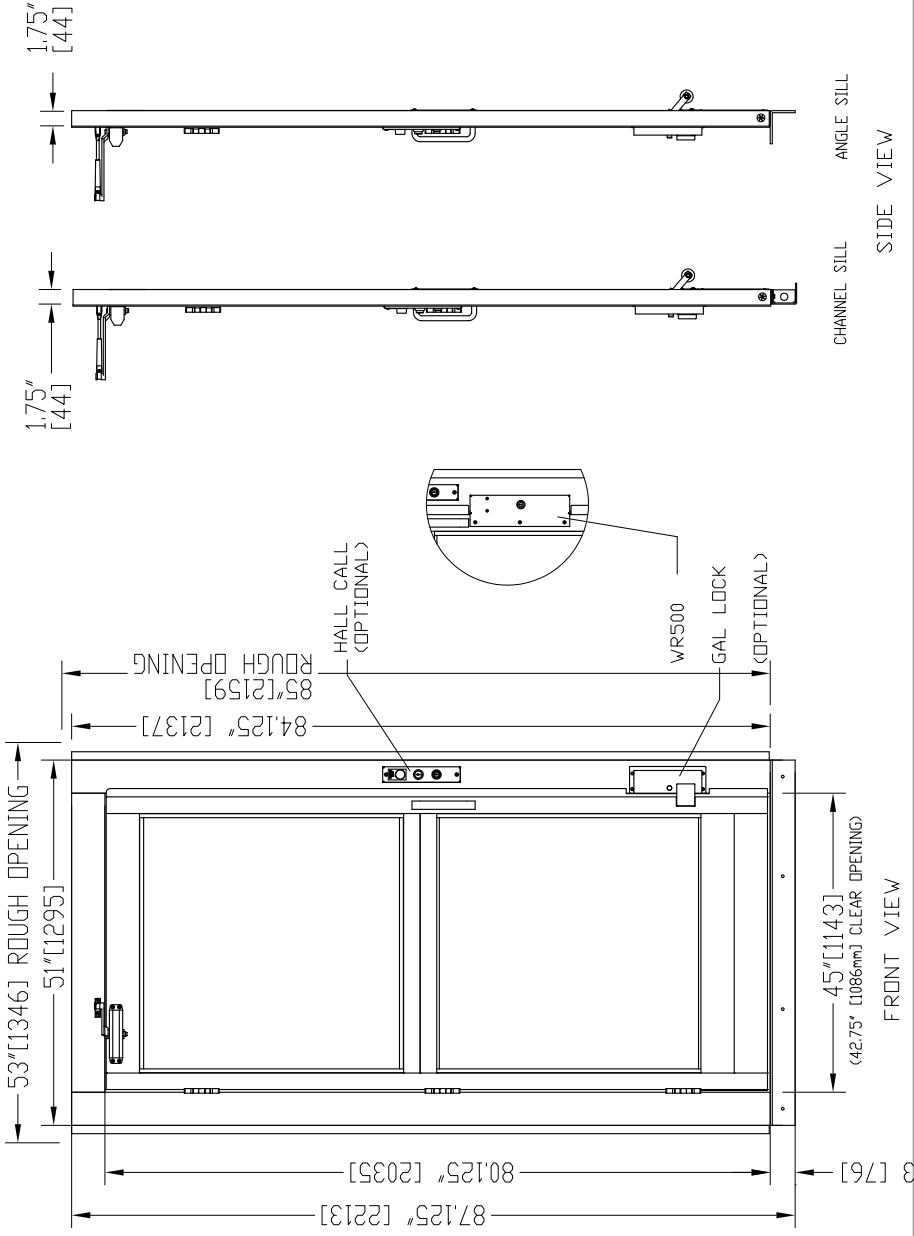
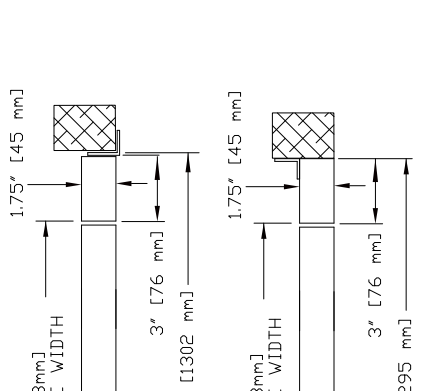
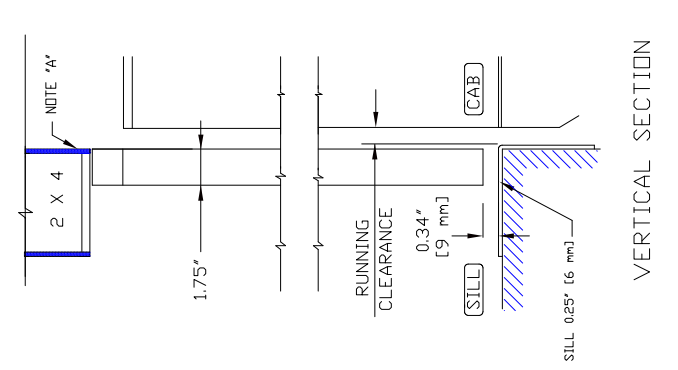


**NOTES:**

- A) DRYWALL OR PARGING (BY OTHERS) AS REQ'D.
- B) SEE DATASHEET OF THE INSTALLATION DRAWING FOR LANDING ENTRANCE SCHEDULE.
- C) ALL INFORMATION IS SUBJECT TO CHANGE.

**GENERAL INFORMATIONS:**

- EACH LANDING ENTRANCE SHALL BE SUPPLIED AS A FINISHED ASSEMBLY WITH DOOR AND FRAME BLANKED, REINFORCED, DRILLED AND TAPPED FOR ALL COMPONENTS DETAILED, READY FOR INSTALLATION.
- DIFFERENT PANEL INSERT MATERIALS ARE OPTIONAL.
- DIFFERENT LOCKS SUCH AS GAL, OR WR500 ARE OPTIONAL.
- MANUAL DOOR DOOR CLOSER IS PROVIDED.



DATE: MM/DD/YYYY	REVISOR: MM/DD/YYYY	COMPLETED BY: JB
CUSTOMER: _____		
PROJECT: _____		
ADDRESS: _____		

**80 RIGHT HAND MANUAL DOOR**  
 42.75" [1086mm] CLEAR OPENING